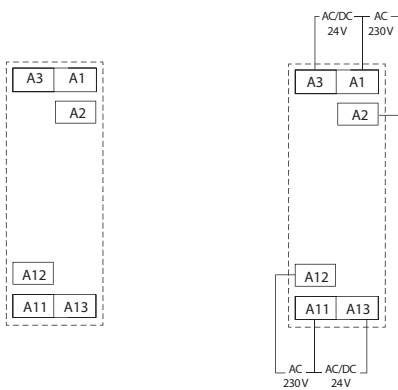


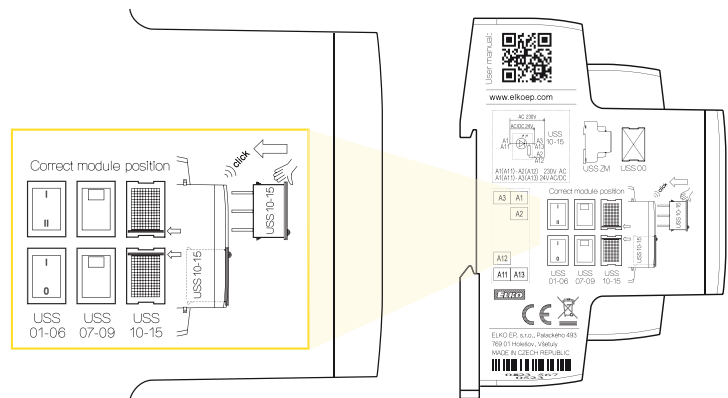
- Independent switch units designed for flexible controlling and switching of power circuits.
- USS - "Do It Yourself" = it is possible to "click into" different types of switches and signalling units into the basic module.
- Units are delivered as components and configured by the user.
- 16 types of units: switches, push buttons, signal lights of different colours including flashing lights units are replaceable also for future (for example when an application is changed, extended, etc...).
- Units are also replaceable in the future (for example when an application is changed, extended, etc...).
- It is possible to place up to two units into one MODULE (for example 2x switch, 2x signalling lights or combinations) = saves space in switch-board panels.
- 1-MODULE (90 x 17.6 x 64 mm / 3.5" x 0.7" x 2.5"), DIN rail mounting.
- Operating temperature -20 °C to +55 °C (-4 °F to 131 °F).
- M3 screw with clamp terminals.

Connection

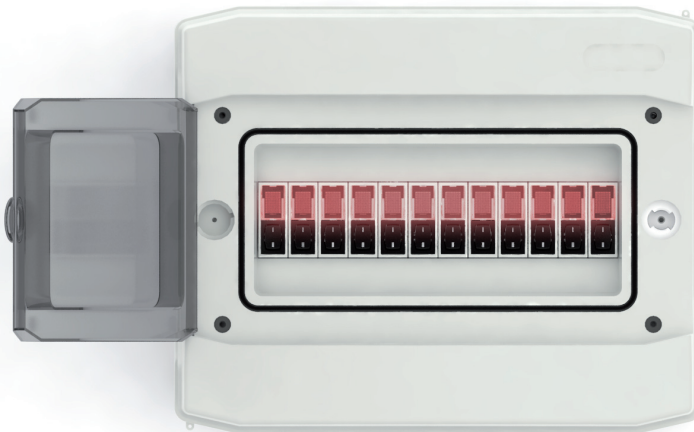
Connection of signalling light



Installing the USS into the module



Example of switchboard with USS



Examples of mounting



USS-01 + USS-03



USS-07 + USS-11



USS-11 + USS-01



USS-10 + USS-00



USS-10 + USS-11



USS-07 + USS-00

TYPE DESIGNATION		EAN CODE	CONNECTION	RATED CURRENT/VOLTAGE (FOR SWITCHES) SUPPLY VOLTAGE (FOR SIGNALLING LIGHTS)	DIMENSIONS	DESCRIPTION
USS-ZM		8595188124577	MODULE	-	19 x 17.6 x 64 mm	Basic MODULE (housing with terminals and contacts)
USS-00		8595188124614	BLIND FLANGE	-	21 x 15 x 7 mm	Used to fill in an empty position in the front panel
Switches, push buttons						
USS-01		8595188124621		6 A / 250 V AC	21 x 15 x 20 mm	Switch
USS-02		8595188124638		10 A / 250 V AC	21 x 15 x 20 mm	Alternation switch
USS-03		8595188124645		10 A / 250 V AC	21 x 15 x 20 mm	Switch with central position
USS-04		8595188124652		6 A / 250 V AC	21 x 15 x 20 mm	Switch + button with central position
USS-05		8595188124669		6 A / 250 V AC	21 x 15 x 20 mm	Switching button with central position
USS-06/S		8595188124676		10 A / 250 V AC	21 x 15 x 20 mm	NO switch
USS-06/R		8595188136372		10 A / 250 V AC	21 x 15 x 20 mm	NC switch
Switches with glow lamp						
USS-07		8595188124683		6 A / 250 V AC	21 x 15 x 20 mm	Switch with glow lamp (red)
USS-08		8595188124690		6 A / 250 V AC	21 x 15 x 20 mm	Switch with glow lamp (green)
USS-09		8595188124706		6 A / 250 V AC	21 x 15 x 20 mm	Switch with glow lamp (yellow)
Signalling light						
USS-10		8595188124331		A1-A2, AC 230 V A1-A3, AC/DC 24 V	21 x 15 x 14 mm	Signalling LED (red)
USS-11		8595188124348		A1-A2, AC 230 V A1-A3, AC/DC 24 V	21 x 15 x 14 mm	Signalling LED (green)
USS-12		8595188124355		A1-A2, AC 230 V A1-A3, AC/DC 24 V	21 x 15 x 14 mm	Signalling LED (yellow)
USS-13		8595188124362		A1-A2, AC 230 V A1-A3, AC/DC 24 V	21 x 15 x 14 mm	Signalling LED (white)
USS-14		8595188124898		A1-A2, AC 230 V A1-A3, AC/DC 24 V	21 x 15 x 14 mm	Signalling LED FLASHING (red)
USS-15		8595188124379		A1-A2, AC 230 V A1-A3, AC/DC 24 V	21 x 15 x 14 mm	Signalling LED (blue)